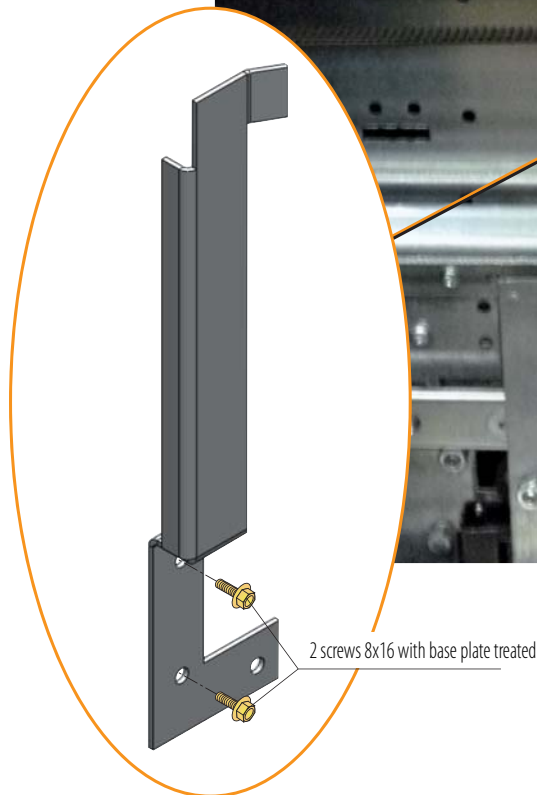
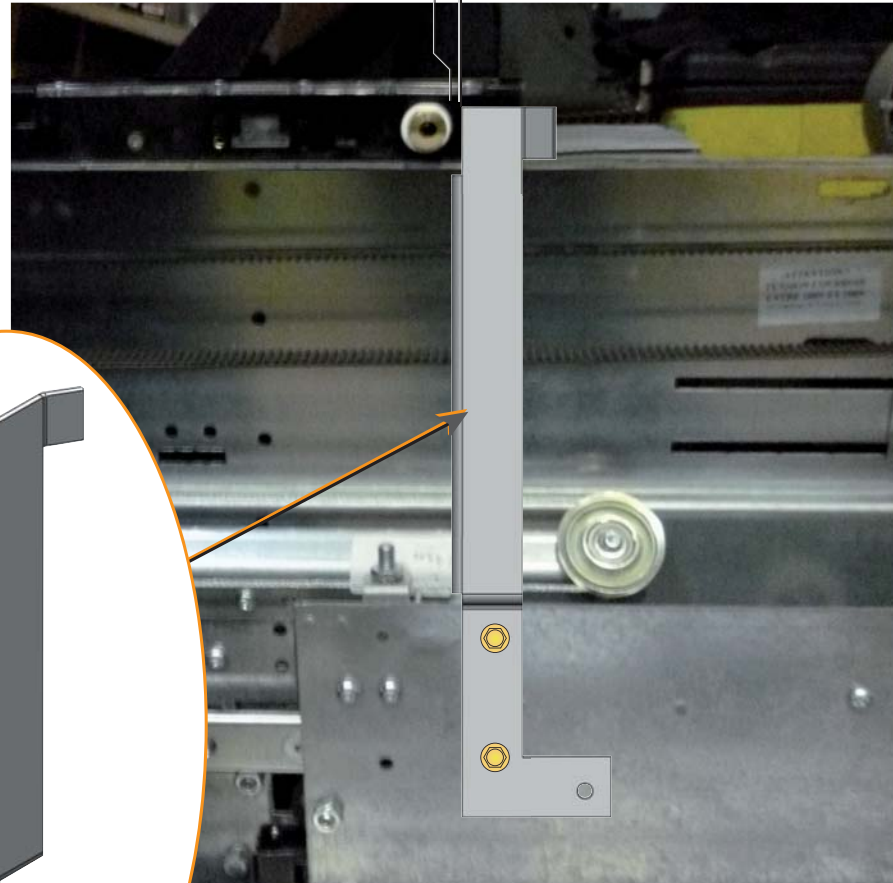


150-110 (Slyc)

Tacle for cabin door Slycma GPS - 2V OL/G

Leave a set of approximately 10 mm between the bolt of the lock and the edge of the tacle

10 mm



2 screws 8x16 with base plate treated